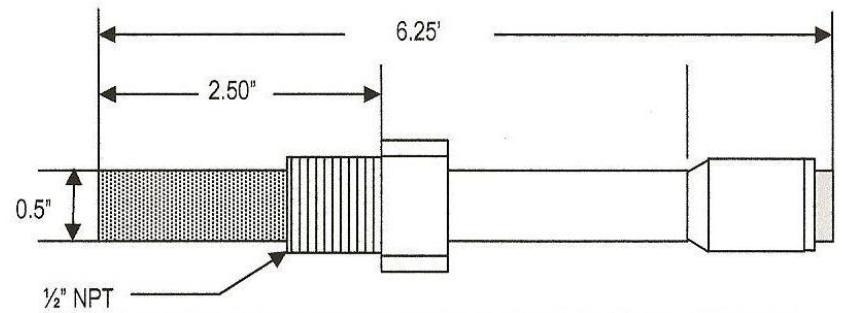
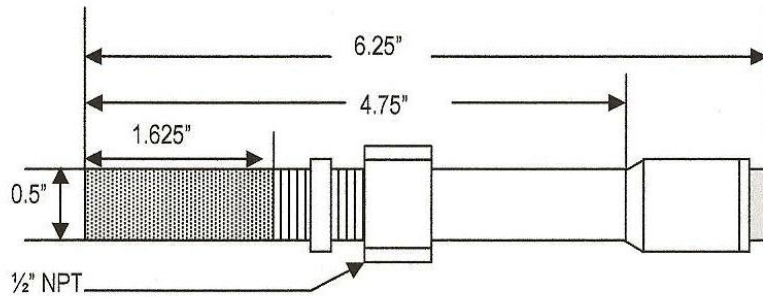


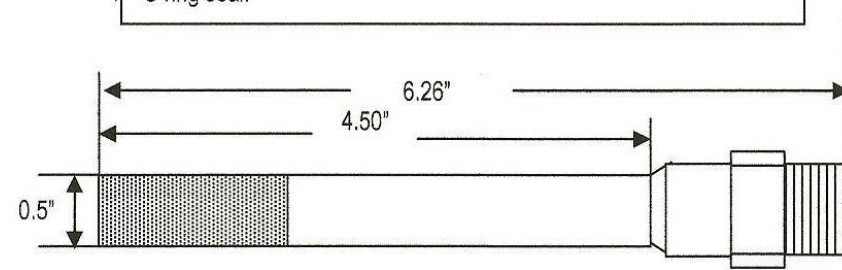
MODEL: MS50B
 Moisture Sensor MS50B is a 1/2" O.D. stainless steel body probe with a bendix quick disconnect cable connector. Nut and ferrule only. No fittings. **Pressure Rate: 2,000 psig.**



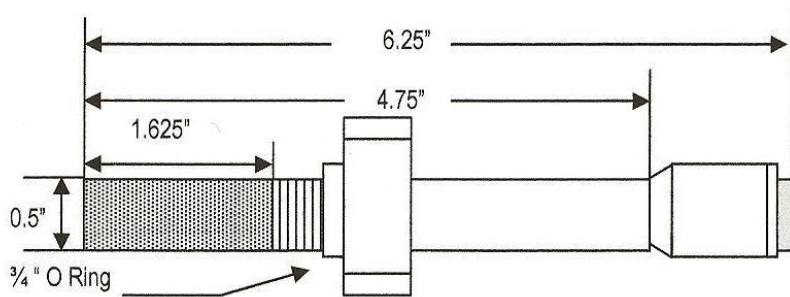
MODEL: MS52BP
 Moisture Sensor MS52BP is a stainless steel body probe with a bendix quick disconnect cable connector. Fitting is 1/2" NPT SS, **Pressure Rate: 7,000 psig.** MS53BPH (Not Shown) Fitting 3/4" x 16 O ring seal.



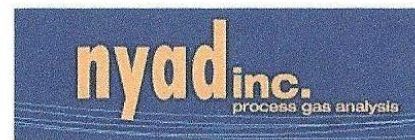
MODEL: MS52B
 Moisture Sensor MS52B is a 1/2" O.D. stainless steel body probe with a bendix quick disconnect cable connector. Fitting is 1/2" T x 1/2" NPT, with nut and ferrule. **Pressure Rate: 2,000 psig.**



MODEL: MS50E
 Moisture Sensor MS50E is designed for hazardous applications and is normally connected to an explosion-proof junction box for sensor wire hook-up. Sensor body is stainless construction. Available with 1/2" NPT adaptor model MS52E or 3/4" O ring seal fitting model MS53E. **Available with red dot explosion-proof junction box (not shown). Models MS50EX, MS52EX, and MS53EX. Pressure Rate: 2,000 psig.**



MODEL: MS53B
 Moisture Sensor MS53B is a 1/2" O.D. stainless steel body probe with a bendix quick disconnect cable connector. Fitting is 1/2" T x 3/4" O ring seal fitting with nut and ferrule. Used with Nyad Series 30 flowcells. **Pressure Rate: 2,000 psig.**



Revisions: None	NYAD, INC.
Date: 6/21/10	SERIES 50 (NOT TO SCALE)
Drawing By: DN	TYPE: A.C.T MOISTURE PROBE